

# LEGEND APF

## LEGEND 100 - LEGEND 150 TECHNICAL DATA SHEET

| MODEL                     |   | LEGEND 100  | LEGEND 150 |
|---------------------------|---|---|------------|
| SIZE (A)                  |   | 100   | 150        |
| ELECTRICAL SPECIFICATIONS | Rated voltage   | 3 Phase 4 Wires: 157V - 460V (Line to Line)<br>3 Phase 3 Wires: 157V - 528V (Line to Line)  |            |
|                           | Phases  | Three-phase   |            |
|                           | Frequency   | 50/60 ±3 Hz (auto-detect)   |            |
|                           | Harmonic correction   | From the 2nd to the 51st (optional extended range up to the 71st harmonic)  |            |
|                           | Power factor correction   | Compensates for leading or lagging power factor loads.<br>Adjustable from 0.6 lagging power factor to 0.6 leading power factor  |            |
|                           | Load balancing  | Between two phases and between phase and neutral  |            |
|                           | Response time   | 25 µs   |            |
| ENVIRONMENTAL PARAMETERS  | Operating temperature   | -10°C to +40°C without derating   |            |
|                           | Relative humidity   | ≤ 95% (no condensation)   |            |
|                           | Altitude (a.s.l.)   | ≤ 2000 m at rated load current, above 2000m altitude rated load current reduced by 1% per 100m  |            |
|                           | Audible noise at 1 m.   | <65 dBA   |            |
| GENERAL                   | Dimensions (WxDxH) mm   | IP31: 521 x 180 x 945   |            |
|                           |   | IP30: 521 x 180 x 886   |            |
|                           | Weight (kg)   | Master: 49.5  |            |
|                           |   | Slave: 47.5   |            |
|                           | Protection class  | IP30/IP31   |            |
|                           | Connections   | 4-wire/3-wire   |            |
|                           | Installation  | Wall mounting   |            |
|                           | Type  | Monolithic  |            |
|                           | Parallel connection up to (A)   | 3600  |            |
| Max. parallel modules     | 24  |   |            |
| CT configuration          | Source side CT: closed loop control - load side CT: open loop control |   |            |
| CONNECTIVITY              | Built-in communication ports  | USB, RS485, Modbus RTU, EPO Ethernet port and dry relay contacts (1 in/3 out)   |            |
|                           | User interface  | 10" colour LCD touch screen display   |            |
|                           | Software  | Data monitoring and storage software  |            |
| REGULATIONS               | Standards   | EN61000-6-4, EN55011, CISPR 11, IEC 61000-3-12, IEC 61000-3-11,<br>IEC 61000-6-2, IEC 61000-4-2, IEC 61000-4-3, IEC 61000-4-4,<br>IEC 61000-4-5, IEC 61000-4-6, IEC 62477-1, EN 61000-4-8, EN61000-4-34 |            |
|                           |   | EN 61000-3-4, IEEE 519-1992, EN60146  |            |
|                           |   | CE, UKCA  |            |
|                           | Marking   | CE, UKCA  |            |

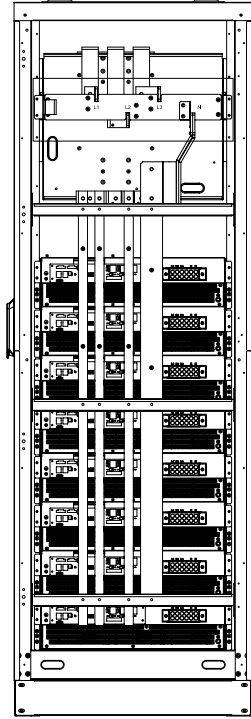
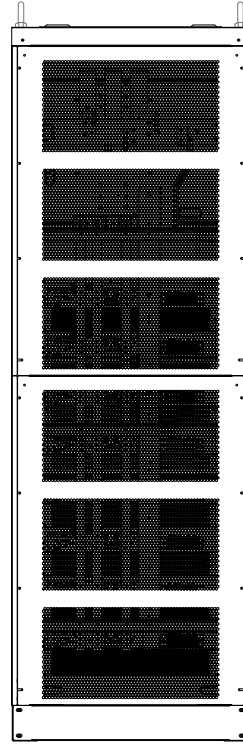
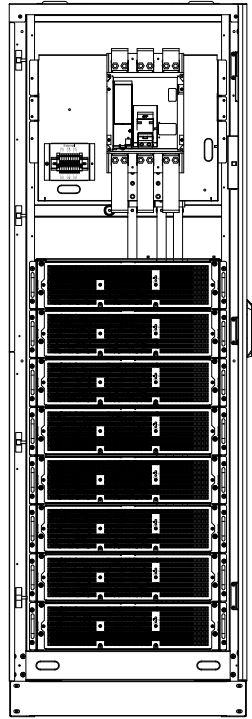
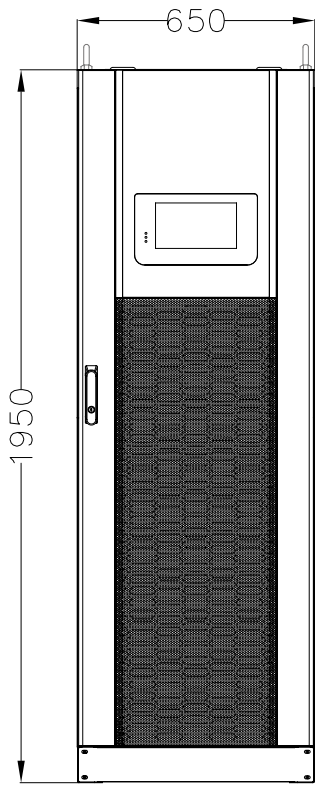
# LEGEND APF

## LEGEND 600 - LEGEND 1200 TECHNICAL DATA SHEET

| MODEL                     |  | LEGEND 600   | LEGEND 1200      |
|---------------------------|--|--|------------------|
| SIZE (A)                  |  | 600  | 1200             |
| ELECTRICAL SPECIFICATIONS | Rated voltage  | 3 Phase 4 Wires: 157V - 460V (Line to Line)  |                  |
|                           |  | 3 Phase 3 Wires: 157V - 528V (Line to Line)  |                  |
|                           | Phases   | Three-phase  |                  |
|                           | Frequency  | 50/60 ±3 Hz (auto-detect)  |                  |
|                           | Harmonic correction  | From the 2nd to the 51st (optional extended range up to the 71st harmonic)   |                  |
|                           | Power factor correction  | Compensates for leading or lagging power factor loads.<br>Adjustable from 0.6 lagging power factor to 0.6 leading power factor |                  |
|                           | Load balancing   | Between two phases and between phase and neutral   |                  |
|                           | Response time  | 25 µs  |                  |
| ENVIRONMENTAL PARAMETERS  | Operating temperature  | -10°C to +40°C at rated load current, > +40 °C at reduced load current   |                  |
|                           | Relative humidity  | ≤ 95% (no condensation)  |                  |
|                           | Altitude (a.s.l.)  | ≤ 2000 m at rated load current, above 2000m altitude rated load current reduced by 1% per 100m                                 |                  |
|                           | Audible noise at 1 m.  | <65 dBA  |                  |
| GENERAL                   | Cabinet Dimensions (WxDxH) mm  | 650 x 896 x 1500   | 650 x 896 x 1950 |
|                           | Cabinet weight (kg)  | 165  | 211              |
|                           | Module Dimensions (WxDxH) mm   | Hot-swappable: 500 x 775 x 130<br>Terminal block: 500 x 791 x 130  |                  |
|                           | Module weight (kg)   | 44   |                  |
|                           | Protection class   | Cabinet: IP20  |                  |
|                           |  | Module: IP30   |                  |
|                           | Connections  | 4-wire/3-wire  |                  |
|                           | Installation   | Floor standing   |                  |
|                           | Type   | Modular  |                  |
|                           | Parallel connection up to (A)  | 3600   |                  |
|                           | Max. no. of modules per system (100 or 150 A in a mixed configuration) | Up to 4  | Up to 8          |
|                           | Max. parallel systems  | 6  | 3                |
|                           | CT configuration   | Source side CT: closed loop control - load side CT: open loop control  |                  |
| CONNECTIVITY              | Built-in communication ports   | USB, RS485, Modbus RTU, EPO Ethernet port and dry relay contacts (1 in/3 out)  |                  |
|                           | User interface   | 10" colour LCD touch screen display  |                  |
|                           | Software   | Data monitoring and storage software   |                  |
| REGULATIONS               | Standards  | EN61000-3-4, IEEE 519-1992, EN60146  |                  |
|                           |  | EN61000-6-4, EN55011, IEC 61000-3-12, IEC 61000-3-11,  |                  |
|                           |  | IEC 61000-6-2, IEC 61000-4-2, IEC 61000-4-3, IEC 61000-4-4,  |                  |
|                           |  | IEC 62477-1, IEC 61000-4-5, IEC 61000-4-6,   |                  |
|                           |  | EN 61000-4-8, EN61000-4-34   |                  |
| Marking                   | CE, UKCA   |  |                  |

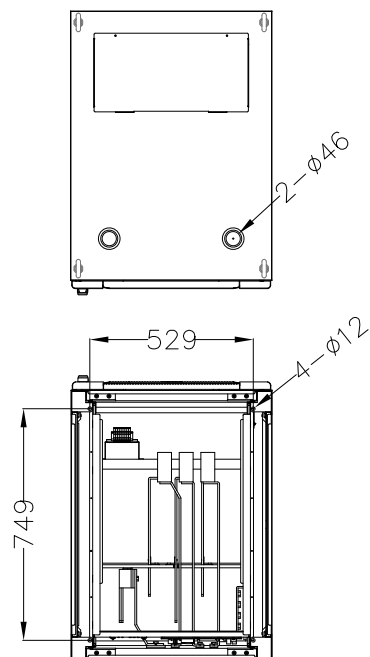
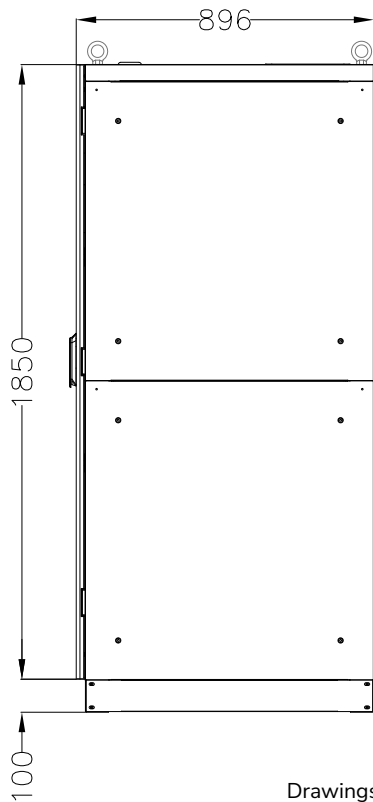
# LEGEND APF

## LEGEND APF



Front Internal View

Back Internal View



Drawings and dimensions refer to the Legend 1200

# LEGEND APF

## LEGEND APF Wall Mount

